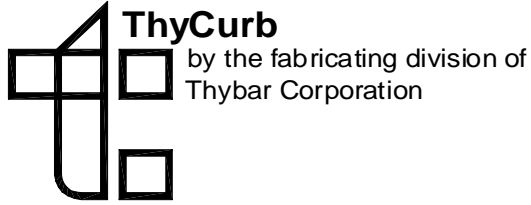
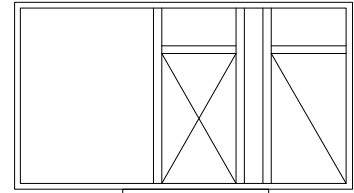
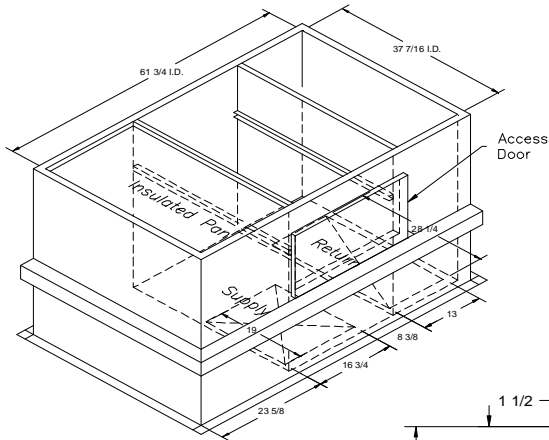


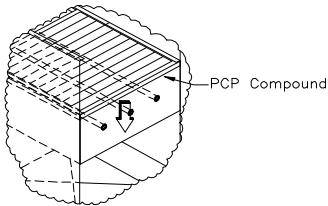
**(ACACS) American Standard Catalytic Air Cleaner System curb**



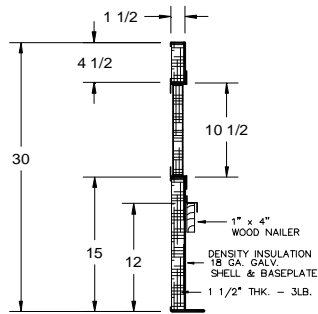
**T/W/YSC, T/W/YHC  
036E, 037E  
T/W/YSC 048E  
T/YSC 060E  
Precedent 3-5 Tons**



↓ Clearance 48"



Typical Filter Section



Typical TC-3 Section  
1 1/2 x 1/4 Neoprene Gasketing included with curb. (Field installed)

Qty	American Standard Model	American Standard Curb #	ThyCurb #	Width	Nominal CFM	PCP Compound	Filter area	Nominal Face Velocity FPM	PCP FPM	AMPS @ 120V	TAG
	T/W/TSC, T/W/YHC 036E, 037E	BAYACAC001A	TR3FC0051230	37 7/16	1200	2416	11.11	200	379	0.84	
	T/W/YSC048E				1600	2421	11.11	267	398	1.40	
	T/YSC 060E				2000	2428	11.11	333	393	1.84	