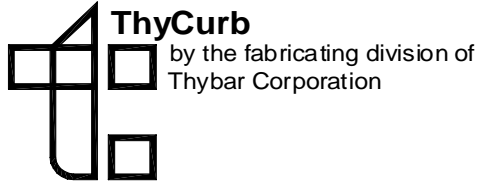
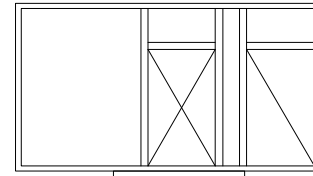
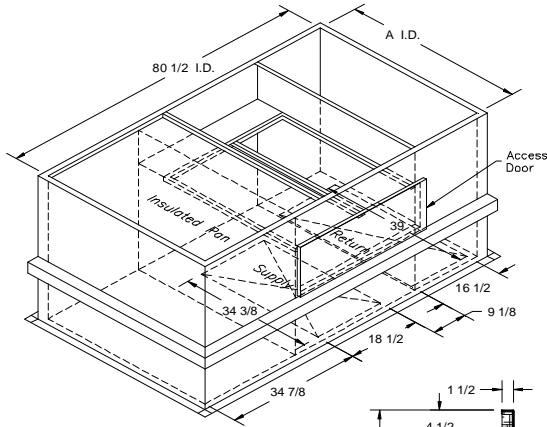


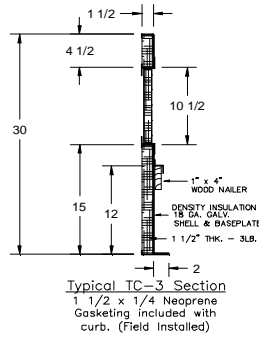
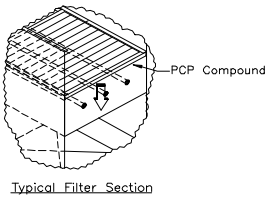
(ACACS) American Standard Catalytic Air Cleaner System curb



T/YHC 047E-067E
 T/YSC 072E-120E
 T/YHC 048E-120E
 WSC 060E-120E
 Precedent 4-10 Tons



Clearance
 48"



Qty	American Standard Model	American Standard Curb #	ThyCurb #	A	Nominal CFM	PCP Compound	Filter area	Nominal Face Velocity FPM	PCP FPM	AMPS @ 120V	TAG
	WSC 060E, T/YHC048E,060E	BAYACAC002A	TR3FC0070030	46 3/8	2000	2032	11.11	180	417	1.68	
	T/YHC047E				1600	2024	11.11	144	427	1.32	
	T/YHC067E				2000	2032	11.11	180	417	1.68	
	T/W/YSC 072E, T/YHC 072E				2400	2037	11.11	216	435	2.01	
	T/W/YSC 090E				3000	2024 2024	11.11	270	400	2.64	
	T/YSC 092E				3000	2024 2024	11.11	270	400	2.64	
	T/YSC 102E				3400	2028 2028	11.11	306	401	2.76	
	T/YSC 120E				4000	2032 2032	11.11	360	417	3.36	
	T/YHC 092E	BAYACAC003A	TR3FC0291530	56 3/8	3000	2024 2024	11.11	270	400	2.64	
	T/YHC 102E				3400	2028 2028	11.11	306	401	2.76	
	WSC, T/YHC 120E				4000	2032 2032	11.11	360	417	3.36	