

GENESIS AIR 2006D&L



INSTALLATION AND OPERATIONS MANUAL

PLEASE READ AND SAVE THESE INSTRUCTIONS!



OPERATIONS AND MAINTENANCE SCHEDULE

This manual will guide the maintenance personnel in installing and servicing the Genesis Air 2006D&L unit.

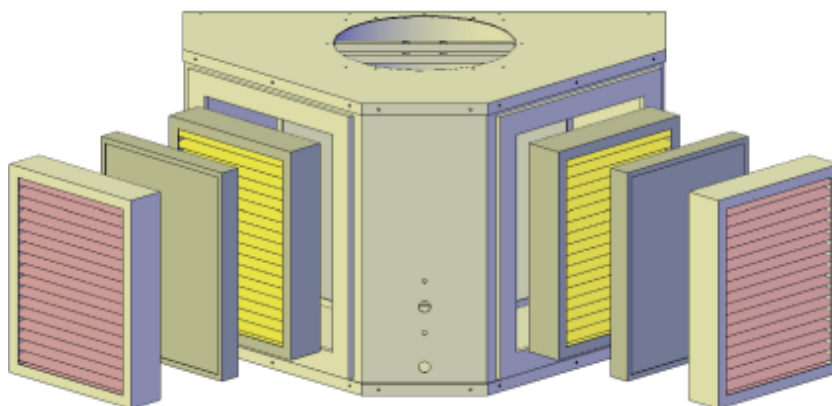
| | | |
|--|-------|----------|
| <u>INTRODUCTION</u> | | 3 |
| <u>INSTALLATION</u> | | 4 |
| <u>WIRING DIAGRAM</u> | | 4 |
| <u>MAINTENANCE</u> | | 4 |
| <u>LAMPS</u> | | 4 |
| GENERAL | | 4 |
| INSPECTION | | 4 |
| REMOVAL | | 5 |
| DISPOSAL | | 5 |
| INSTALLATION | | 5 |
| <u>CATALYST</u> | | 5 |
| GENERAL | | 5 |
| INSPECTION | | 5 |
| REMOVAL | | 5 |
| CLEANING | | 5 |
| DISPOSAL | | 6 |
| INSTALLATION | | 6 |
| <u>BALLASTS</u> | | 6 |
| <u>FILTERS</u> | | 6 |
| <u>REPLACEMENT PART NUMBERS</u> | | 6 |
| <u>CONTACT INFORMATION</u> | | 6 |

INTRODUCTION

The Genesis Air 2006D&L is a stand-alone unit used to reduce the levels of Volatile Organic Compounds (VOC's) and viable airborne biological contaminants. The unit is utilized as a "point-of-use" air purifier. The 2006D&L uses two 2" catalyst panels and two 2" MERV 13 filters. A 1" UV shield is attached to the catalyst to protect the user from UV light. The D&L may be wall mounted or set on a surface. This unit is suitable for spaces up to 2700 ft³. For recommended unit configurations, consult the 2008 GAP Product Calculator supplied with packet. Contact Genesis Air if you do not have one. All Genesis Air products incorporate 3-step GAP technology: MERV Filtration, UVGI Lamps and Photocatalysis.



2006D&L, Filter, UV Shield and Catalyst

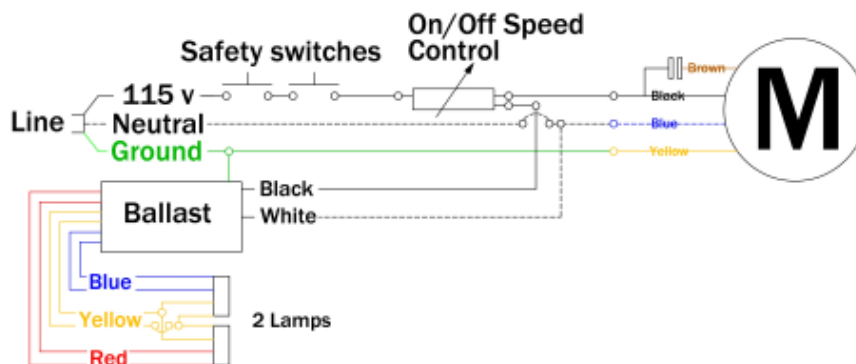


INSTALLATION

This unit is designed to be installed as a wall-mount unit or set on a flat surface.

Installation must be completed by competent personnel. **Genesis Air, Inc. assumes no liability for damages or injuries sustained from installations done by other than qualified Genesis Air technicians.**

- For a wall-mount application, determine where this unit is to be hung. This unit has keyholes for a horizontal hanging only. On the rear panel of the unit, there are 2 keyhole slots 11 15/16" apart.
- Install 50 lb. rated wall anchors in the position determined.
- Using a helper, hang the 2006D&L on the wall anchors
- Plug in the unit or wire permanently using the wiring diagram below. Run the unit at all speeds, ensuring the fan has not bound during shipping. You should see a blue glow thru the plastic window at bottom of the unit.



MAINTENANCE

LAMPS

- ALL UNITS MUST BE POWERED DOWN BEFORE SERVICING.
- ALL MAINTENANCE PERSONNEL MUST WEAR UV PROTECTIVE SAFETY GLASSES. ALL EXPOSED SKIN MUST BE PROTECTED BY UV RESISTANT CLOTHING.

GENERAL

To operate effectively, the lamps must be replaced each year, as the intensity of the lamps decreases over time. The catalyst must be energized by the lamps to create the field of hydroxyl radicals that is required to remove VOC's and biologicals. Without the proper lamp output, VOC's and biologicals will not be reduced!

INSPECTION

- The clear plug in the front of the unit will emit a blue glow if the lamps are operating. If one lamp is defective, neither lamp will light.
- **Power the Genesis Air unit down using the kill switch or breaker to unit.**
- Open the front grille and remove the air filter and UV shield/catalyst assembly.
- If a lamp appears blackened at one end, replace the lamp with a Genesis Air UVCHO18W. Ensure each lamp is plugged in firmly to receptacle.
- Replace catalyst/UV shield and filters in proper orientation and close the grille.
- Power up the unit.

- If the clear plug does not emit any glow, the problem may be in the ballast or wiring. Call your Genesis Air Representative for assistance.

REMOVAL

- **Power the Genesis Air unit down using the kill switch or breaker to unit.**
- Open the front grille and remove the air filter and UV shield/catalyst assembly.
- Grasp the lamp and rock back and forth gently while pulling steadily upwards. **BE SURE NOT TO USE FORCE!** The lamp may burst if it collides with the fan.

DISPOSAL

- In most states and provinces, UVGI lamps may be disposed of in the same manner as fluorescent lamps. While UVGI lamps contain a trace amount of mercury, the quantity is so minute that disposal is not regulated by federal standards (established by the EPA). Individual states and provinces may have established disposal standards. Please adhere to your local regulations.

INSTALLATION

- Installation is the reverse of removal.

CATALYST

- ALL UNITS MUST BE POWERED DOWN BEFORE SERVICING.
- ALL MAINTENANCE PERSONNEL MUST WEAR UV PROTECTIVE SAFETY GLASSES. ALL EXPOSED SKIN MUST BE PROTECTED BY UV RESISTANT CLOTHING.

GENERAL

Genesis Air recommends catalyst replacement every fifteen years to provide an efficient system. As debris and contaminants accumulate on the catalyst, the effectiveness of the catalyst is decreased. The catalyst must be inspected periodically for build up of particulate.

INSPECTION

- Turn off power to the 2006D&L unit. Unplug unit from service.
- Open the front grille and remove the air filter and UV shield/catalyst assembly.
- If the catalyst appears clean and free of particulate, congratulations! Otherwise, proceed to removal.

REMOVAL

- **If the catalyst will be cleaned and reused, keep track of orientation so they will be returned from the order they were removed. This will prevent installation problems.**
- Turn off power to the 2006D&L unit. Unplug unit from service.
- Open the front grille and remove the air filter and UV shield/catalyst assembly.

CLEANING

- If the catalyst needs cleaning, remove catalyst panel. Proceed to a wash bay, mop sink or other washing area.
- Shake or brush heavy particulate from the catalyst.
- Spray catalyst liberally using Nu-Calgon CalClean, Special HD or other suitable coil cleaner on catalyst only. Allow to sit 15 minutes, and then wash off with water.

- Allow catalyst to dry completely before returning to service. May be dried in the sun.

DISPOSAL

- Individual states and provinces may have established disposal standards. Please adhere to your local regulations.

INSTALLATION

- Installation is the reverse of removal.

BALLASTS

The ballast supplies power to the lamps. It is located in the 2006D&L unit, where power enters the unit. If a lamp is unlit and a new lamp attached to the same harness will not light, the ballast may be at fault. If a ballast failure is suspected, contact Genesis Air for replacement options.

FILTERS

The filters help protect the catalyst and lamps from dirt and debris. They should be inspected and replaced regularly. Genesis Air recommends MERV-13 or higher filters.

REPLACEMENT PART NUMBERS AND SCHEDULE

Lamps, catalyst and ballast should only be replaced by the Genesis Air equivalent.

| | DESCRIPTION | GENESIS AIR PART NUMBER |
|------------------|-------------------------|-------------------------|
| BALLAST | Advance IUUV-2S18-HI-LD | GA18IUUV |
| LAMPS | Philips PL-L 18W/TUV | UVCHO18W |
| FILTER | 8"x 10"x 2" MERV 13 | GA0810213 |
| CATALYST | 8"x 10"x 2" | GA08102S |
| UV SHIELD | 8"x 10"x 1" | GA0810UVS |

UL DISCLAIMERS

- The health aspects associated with the use of this product and its ability to aid in disinfection of environment air have not been investigated by UL.
- Use only Philips type TUV PL-L 18 Watt lamps.

CONTACT INFORMATION

Genesis Air, Inc.
5202 CR 7350 Suite D
Lubbock, TX 79424
806.745.7000 Phone
806.745.9200 Fax
www.genesisair.com