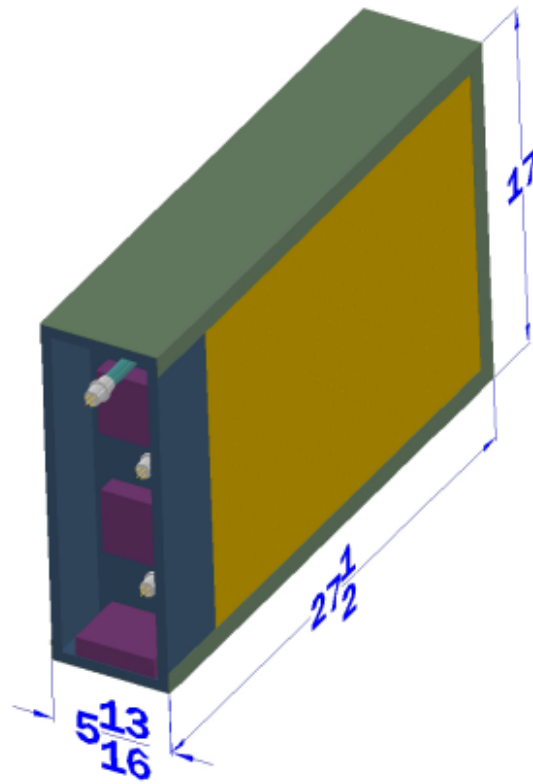




CREATING CLEAN AIR TO BREATHE



# 2008CU APPLICATIONS GUIDE

## INTRODUCTION

The Genesis Air 2008CU is a ducted-in unit used to reduce the levels of airborne biological contaminants and to help keep surfaces clean. The 2008CU uses one Genesis Air PCP Drop-In panel. It is suitable for air handlers up to 3 tons; however, the 2008CU may be custom-sized for your application. Contact Genesis Air for custom units. For recommended unit configurations, consult the 2008 GAP Product Calculator supplied with packet. Contact Genesis Air if you do not have one. All Genesis Air products incorporate 3-step GAP technology: MERV Filtration, UVGI Lamps and Photocatalysis.



## GENESIS AIR QUICK REFERENCE

	2008DT-FP	2008DT	2008B	2008LB	2006D&L	2008GS	2008RGS	2008 PCP STANDARD	2008 PCP DROP-IN	2008CU
Small spaces	X	X			X		X	X	X	X
Medium spaces	X	X		X		X	X	X	X	X
Large spaces			X	X		X		X	X	
Fan-powered	X		X		X	X	X			
Multiple panels standard					X	X				
Multiple panels optional			X	X				X	X	

### Located in:

AHU/RTU								X	X	
Returns		X		X				X	X	X
Supplies		X		X				X	X	X
Trunk lines				X				X	X	
Stand-alone units	X		X		X	X	X			

## CONTACT INFORMATION

**Genesis Air, Inc.  
5202 CR 7350, Suite D  
Lubbock, TX 79424**

**806.745.7000 Phone  
806.745.9200 Fax**

**[www.genesisair.com](http://www.genesisair.com)**