

# GENESIS AIR 2008GS



## INSTALLATION AND OPERATIONS MANUAL

**PLEASE READ AND SAVE THESE INSTRUCTIONS!**  
ACCESS ABOVE CEILING REQUIRED.



# **OPERATIONS AND MAINTENANCE SCHEDULE**

This manual will guide the maintenance personnel in installing and servicing the Genesis Air 2008GS unit.

<b><u>INSTALLATION</u></b>	.....	<b>3</b>
<b><u>MAINTENANCE</u></b>	.....	<b>4</b>
<b><u>LAMPS</u></b>	.....	<b>4</b>
GENERAL	.....	4
INSPECTION	.....	4
REMOVAL	.....	4
DISPOSAL	.....	4
INSTALLATION	.....	4
<b><u>CATALYST</u></b>	.....	<b>5</b>
GENERAL	.....	5
INSPECTION	.....	5
REMOVAL	.....	5
CLEANING	.....	5
DISPOSAL	.....	5
INSTALLATION	.....	5
<b><u>BALLASTS</u></b>	.....	<b>5</b>
<b><u>FILTERS</u></b>	.....	<b>6</b>
<b><u>REPLACEMENT PART NUMBERS</u></b>	.....	<b>6</b>
<b><u>CONTACT INFORMATION</u></b>	.....	<b>6</b>

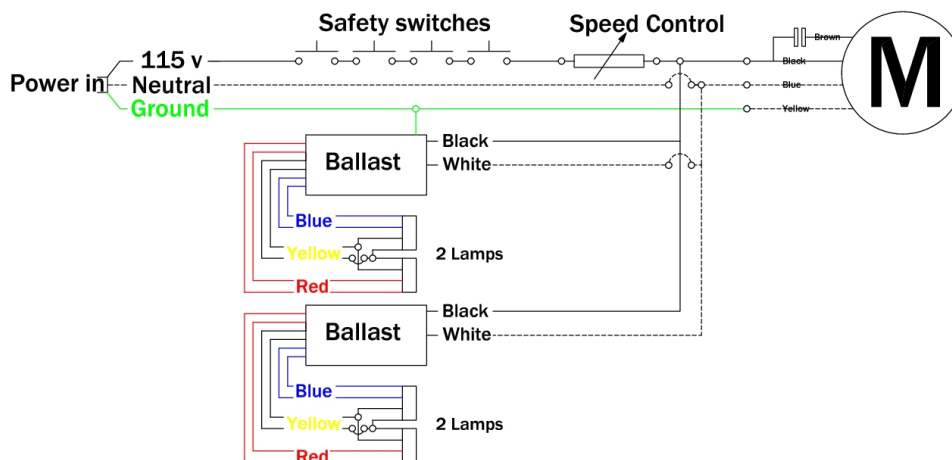


Shown without required UL shielding to block escaping UV radiation

## INSTALLATION

This unit is designed to be installed as a roll-around, portable unit or suspended from the ceiling. Installation must be completed by competent personnel. **Genesis Air, Inc. assumes no liability for damages or injuries sustained from installations done by other than qualified Genesis Air technicians.**

- Determine a location for the 2008GS unit. Also, the GS must be suspended from something, so make sure there is truss work above. The fan must be installed at least 7' above floor.
- Remove the casters from the unit if supplied. Thread four 5/16" eyelets into the caster sockets.
- Use chain to suspend the unit from the ceiling. The chain must support 150 lbs.
- Using a material lift, lift the GS into position. Attach chain to the eyelets.
- Power up the GS unit using supplied wiring diagram.
- Plug in the unit and run at all speeds, ensuring the fan has not bound during shipping.



## **MAINTENANCE**

### **LAMPS**

- ALL UNITS MUST BE POWERED DOWN BEFORE REPLACING LAMPS.
- ALL MAINTENANCE PERSONNEL MUST WEAR UV PROTECTIVE FACE SHIELDS. ALL EXPOSED SKIN MUST BE PROTECTED BY UV RESISTANT CLOTHING.

### **GENERAL**

To operate effectively, the lamps must be replaced each year, as the intensity of the lamps decreases over time. The catalyst must be energized by the lamps to create the field of hydroxyl radicals that is required to remove VOC's and biologicals. Without the proper lamp output, VOC's and biologicals will not be reduced!

### **INSPECTION**

- **To inspect the lamps, the lamps must be powered. Wear UV resistant face shields and personal protective equipment!**
- The grille may be opened to examine the lamps. To do this, you must wear UV protection!
- Wearing UV protective clothing and safety glasses open the grille and remove the air filter and the UV shield/catalyst assembly. If the unit is still plugged in, depress the safety switch and examine the lamps. Be sure that the speed control is not turned to the off position. If lamps are all lit, replace filters and close the grille.
- If a lamp is unlit, ensure the lamp is plugged in firmly to receptacle. If lamp is still unlit, replace lamp with Genesis Air UVCHO36W. If the new lamp does not light, the problem may be in the ballast or wiring. Call your Genesis Air Representative for assistance.

### **REMOVAL**

- **Power the Genesis Air unit down using the kill switch or breaker to unit.**
- Open the front grille and remove the air filter and UV shield/catalyst assembly.
- If a lamp appears blackened at one end, replace the lamp with a Genesis Air UVCHO36W. Ensure each lamp is plugged in firmly to receptacle.
- Replace catalyst/UV shield and filters in proper orientation and close the grille.
- Power up the unit.

### **DISPOSAL**

- In most states and provinces, UVGI lamps may be disposed of in the same manner as fluorescent lamps. While UVGI lamps contain a trace amount of mercury, the quantity is so minute that disposal is not regulated by federal standards (established by the EPA). Individual states and provinces may have established disposal standards. Please adhere to your local regulations.

### **INSTALLATION**

- Installation is the reverse of removal.

## **CATALYST**

- ALL UNITS MUST BE POWERED DOWN BEFORE SERVICING.
- ALL MAINTENANCE PERSONNEL MUST WEAR UV PROTECTIVE FACE SHIELDS. ALL EXPOSED SKIN MUST BE PROTECTED BY UV RESISTANT CLOTHING.

### **GENERAL**

Genesis Air recommends catalyst replacement every fifteen years to provide an efficient system. As debris and contaminants accumulate on the catalyst, the effectiveness of the catalyst is decreased. The catalyst must be inspected periodically for build up of particulate.

### **INSPECTION**

- Turn off power to the 2008RGS unit. Unplug unit from service.
- Open the front grille and remove the air filter and UV shield/catalyst assembly.
- If the catalyst appears clean and free of particulate, congratulations! Otherwise, proceed to removal.

### **REMOVAL**

- **If the catalyst will be cleaned and reused, keep track of orientation so they will be returned from the order they were removed. This will prevent installation problems.**
- Turn off power to the 2008RGS unit. Unplug unit from service.
- Open the front grille and remove the air filter and UV shield/catalyst assembly.

### **CLEANING**

- If the catalyst needs cleaning, remove catalyst panel. Proceed to a wash bay, mop sink or other washing area.
- Shake or brush heavy particulate from the catalyst.
- Spray catalyst liberally using Nu-Calgon CalClean, Special HD or other suitable coil cleaner on catalyst only. **Do not immerse ballasts in cleanser!** Allow to sit 15 minutes, and then wash off with water. **Do not immerse ballasts in water! Do not remove installation reminders!**
- Allow catalyst to dry completely before returning to service. May be dried in the sun.

### **DISPOSAL**

- Individual states and provinces may have established disposal standards. Please adhere to your local regulations.

### **INSTALLATION**

- Installation is the reverse of removal.

## **BALLASTS**

The ballasts supply power to the lamps. They are located in the Genesis Air PCP Drop-In catalyst panels. If a lamp is unlit and a new lamp attached to the same harness will not light, the ballast may be at fault. If a ballast failure is suspected, contact Genesis Air for replacement options.

## **FILTERS**

The filters help protect the catalyst and lamps from dirt and debris. They should be inspected and replaced regularly. Genesis Air recommends MERV-13 or higher filters.

## **REPLACEMENT PARTS AND SCHEDULE**

Lamps, catalyst and ballast should only be replaced by the Genesis Air equivalent.

	<b>DESCRIPTION</b>	<b>GENESIS AIR PART NUMBER</b>
<b>BALLAST</b>	Advance IUUV-2S60-M4LD	<b>GA60IUUV</b>
<b>LAMPS</b>	Philips TUV PL-L 36W	<b>UVCHO36W</b>
<b>FILTER</b>	14"x 20"x 2" MERV 13	<b>GA1420213</b>
<b>CATALYST</b>	14"x 20"x 2"	<b>GA14202</b>
<b>UV SHIELD</b>	14"x 20"x 2"	<b>GA1420UVS</b>

## **UL DISCLAIMERS**

- The health aspects associated with the use of this product and its ability to aid in disinfection of environment air have not been investigated by UL.
- Use only Philips TUV PL-L 36 Watt lamps.
- Access above ceiling required.
- To reduce risk of injury to persons, install fan at least 7' above floor.

## **CONTACT INFORMATION**

**Genesis Air, Inc.  
5202 CR 7350 Suite D  
Lubbock, TX 79424  
806.745.7000 Phone  
806.745.9200 Fax**

**[www.genesisair.com](http://www.genesisair.com)**