

GENESIS AIR 2008RGS



INSTALLATION AND OPERATIONS MANUAL

PLEASE READ AND SAVE THESE INSTRUCTIONS!



OPERATIONS AND MAINTENANCE SCHEDULE

This manual will guide the maintenance personnel in installing and servicing the Genesis Air 2008RGS unit.

<u>INSTALLATION</u>	3
<u>MAINTENANCE</u>	4
<u>LAMPS</u>	4
GENERAL	4
INSPECTION	4
REMOVAL	4
DISPOSAL	5
INSTALLATION	5
<u>CATALYST</u>	5
GENERAL	5
INSPECTION	5
REMOVAL	5
CLEANING	5
DISPOSAL	6
INSTALLATION	6
<u>BALLASTS</u>	6
<u>FILTERS</u>	6
<u>REPLACEMENT PART NUMBERS</u>	6
<u>UL DISCLAIMERS</u>	6
<u>CONTACT INFORMATION</u>	6

INTRODUCTION

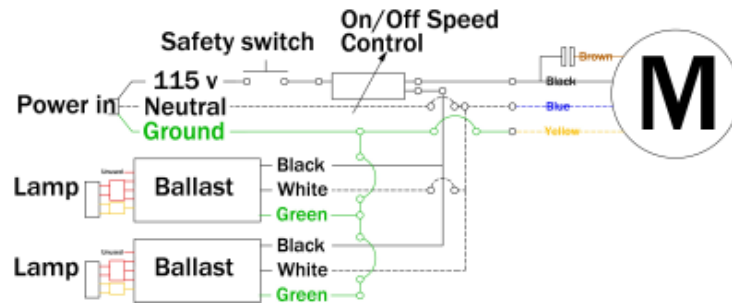
The Genesis Air 2008RGS is a stand-alone unit used to reduce the levels of Volatile Organic Compounds (VOC's) and viable airborne biological contaminants. The unit may be set on a surface or wall-hung for permanent installations or utilized as a portable "point-of-use" air purifier. It may be outfitted with casters. The 2008RGS uses one 2" MERV 13 filter and one 1221PCP Compound. A 2" UV shield is attached to the catalyst to protect the user from UV light. It is suitable for spaces up to 6000 ft³. For recommended unit configurations, consult the 2008 GAP Product Calculator supplied with packet. Contact Genesis Air if you do not have one. All Genesis Air products incorporate 3-step GAP technology: MERV Filtration, UVGI Lamps and Photocatalysis.



INSTALLATION

This unit is designed to be installed as a wall-mount unit or set on a flat surface. Installation must be completed by competent personnel. **Genesis Air, Inc. assumes no liability for damages or injuries sustained from installations done by other than qualified Genesis Air technicians.**

- For a wall-mount application, determine a horizontal or vertical mounting. On the rear panel of the unit, there may be 2 pair of keyhole slots, 14" (vertical mount) and 20" (horizontal mount) apart.
- Install 50 lb. rated wall anchors in the position determined.
- Using a helper, hang the 2008RGS on the wall anchors
- Plug in the unit or wire permanently using the wiring diagram below. Run the unit at all speeds, ensuring the fan has not bound during shipping. You should see a blue glow thru the two plastic windows at the top of the unit.



MAINTENANCE

LAMPS

- ALL UNITS MUST BE POWERED DOWN BEFORE SERVICING.
- ALL MAINTENANCE PERSONNEL MUST WEAR UV PROTECTIVE FACE SHIELDING. ALL EXPOSED SKIN MUST BE PROTECTED BY UV RESISTANT CLOTHING. SAFETY GLASSES WILL NOT BE ENOUGH TO PROTECT EXPOSED SKIN!

GENERAL

To operate effectively, the lamps must be replaced each year, as the intensity of the lamps decreases over time. The catalyst must be energized by the lamps to create the field of hydroxyl radicals that is required to remove VOC's and biologicals. Without the proper lamp output, VOC's and biologicals will not be reduced!

INSPECTION

- The top of the unit will emit a bright blue glow thru the plastic windows if the lamps are operating.
- If the blue glow is dim, the lamp underneath that window may be faulty. Proceed to removal.
- If a lamp was unlit, ensure the lamp is plugged in firmly to receptacle, then replace the faulty lamp with a Genesis Air GA20HO.
- Replace all components in proper orientation and close the grille.
- Power up the unit.
- If the new lamp still does not light, the problem may be in the ballast or wiring. Call your Genesis Air Representative for assistance.

REMOVAL

- **Power the Genesis Air unit down using the kill switch or breaker to unit.**
- Open the front grille and remove the air filter.
- Remove the UV shield/catalyst assembly and disconnect the harness that powers the catalyst. Remove panel from unit.
- Orient the panel until the ballast tray is facing up. Unplug the harness that connects the lamp to the ballast.
- Unscrew the GreenSleeve mount from the base of the unit and remove lamp from the catalyst panel with a twisting motion so as not to deform the catalyst pleats. Retain screws.

DISPOSAL

- In most states and provinces, UVGI lamps may be disposed of in the same manner as fluorescent lamps. While UVGI lamps contain a trace amount of mercury, the quantity is so minute that disposal is not regulated by federal standards (established by the EPA). Individual states and provinces may have established disposal standards. Please adhere to your local regulations.

INSTALLATION

- Installation is the reverse of removal. The lamps are slowly twisted through the catalyst material until the GreenSleeve is resting against the ballast tray. If the lamp binds excessively against the catalyst, do not force. Remove and try again.
- Once the base of the lamp is against the tray, screw down the Greensleeve base using the same holes as removed.
- The rest of installation is the reverse of removal.

CATALYST

- ALL UNITS MUST BE POWERED DOWN BEFORE SERVICING.
- ALL MAINTENANCE PERSONNEL MUST WEAR UV PROTECTIVE FACE SHIELDING. ALL EXPOSED SKIN MUST BE PROTECTED BY UV RESISTANT CLOTHING. SAFETY GLASSES WILL NOT BE ENOUGH TO PROTECT EXPOSED SKIN!

GENERAL

Genesis Air recommends catalyst replacement every fifteen years to provide an efficient system. As debris and contaminants accumulate on the catalyst, the effectiveness of the catalyst is decreased. The catalyst must be inspected periodically for build up of particulate.

INSPECTION

- Turn off power to the 2008RGS unit. Unplug unit from service.
- Open the front grille and remove the air filter and UV shield/catalyst assembly.
- If the catalyst appears clean and free of particulate, congratulations! Otherwise, proceed to removal.

REMOVAL

- **If the catalyst will be cleaned and reused, keep track of orientation so they will be returned from the order they were removed. This will prevent installation problems.**
- Turn off power to the 2008RGS unit. Unplug unit from service.
- Open the front grille and remove the air filter and UV shield/catalyst assembly.

CLEANING

- If the catalyst needs cleaning, remove catalyst panel, then remove lamps. Proceed to a wash bay, mop sink or other washing area.
- Shake or brush heavy particulate from the catalyst.
- With the ballast tray facing upwards, spray catalyst liberally using Nu-Calgon CalClean, Special HD or other suitable coil cleaner on catalyst only. **Do not immerse ballasts in cleanser!** Allow to sit 15 minutes, and then wash off

with water. **Do not immerse ballasts in water! Do not remove installation reminders!**

- Allow catalyst to dry completely before returning to service. May be dried in the sun.

DISPOSAL

- Individual states and provinces may have established disposal standards. Please adhere to your local regulations.

INSTALLATION

- Installation is the reverse of removal.

BALLASTS

The ballasts supply power to the lamps. They are located in the Genesis Air PCP Drop-In catalyst panels. If a lamp is unlit and a new lamp attached to the same harness will not light, the ballast may be at fault. If a ballast failure is suspected, contact Genesis Air for replacement options.

FILTERS

The filters help protect the catalyst and lamps from dirt and debris. They should be inspected and replaced regularly. Genesis Air recommends MERV-13 or higher filters.

REPLACEMENT PART NUMBERS AND SCHEDULE

Lamps, catalyst and ballast should only be replaced by the Genesis Air equivalent.

	DESCRIPTION	GENESIS AIR PART NUMBER
BALLAST	Fulham WH-33	GA33
LAMPS	First Light 2813	UVCHO20
FILTER	12"x 24"x 2" MERV 13	GA1224213
CATALYST	12"x 24"x 6"	GA1221PCP
UV Shield	12"x 24"x 2"	GA1224UVS

UL DISCLAIMERS

- The health aspects associated with the use of this product and its ability to aid in disinfection of environment air have not been investigated by UL.
- Use only 20" First Light type T5 15 UVC Watt lamps.

CONTACT INFORMATION

Genesis Air, Inc.
5202 CR 7350 Suite D
Lubbock, TX 79424
806.745.7000 Phone
806.745.9200 Fax
www.genesisair.com