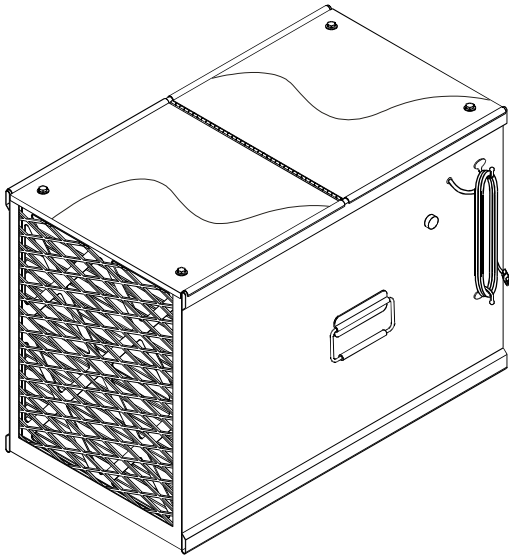




CREATING CLEAN AIR TO BREATHE

# 2002BSS Portable Blower Unit Quick Install Guide



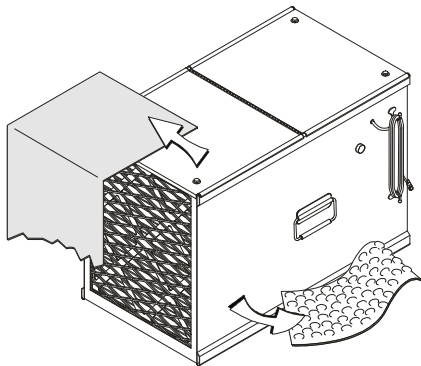
Thank you for your purchase of the Genesis Air 2002BSS system. Included in your package is a complete owner's manual. This Quick Install Guide is only to be used for quick reference for the installation of the 2002BSS unit.

**This Quick Install Guide is *not* to be intended as a substitute for the Owner's Manual.**

This step-by-step manual will assist you in the proper installation of your new Genesis Air 2002BSS system.

## CAUTION!

Make sure the power is shut off before setting up this unit.  
Make sure the unit is not plugged in before continuing!



## UNPACKING THE UNIT

Remove all protective plastic wrap, packing bubbles, foam, tape and cardboard before continuing with the installation. Failure to remove these items could reduce the effectiveness of your 2002BSS unit, cause a hazard or fire and may void warranties.

Do not remove any protective tape from the ballast, around the wiring or from the inside of the 2002BSS unit. These items - UV resistant tape, electrical ties, etc.. are provided for your safety and for the best performance from your 2002BSS unit.

## INSTALLATION

**NOTE:** The UVGI bulbs are located within the main housing. Tilt the lid up by first removing the screws located at the top of the lid facing the guard (see previous page). Secondly, remove the catalysts and prefilter / grille by gently pulling them out evenly from both ends. Carefully slide out the guard by gently pulling evenly on both sides, avoiding contact with the edges. Removing these components allows full and unrestricted access to the inside of the main housing area. Remove the bulbs from their packaging and install the UVGI bulbs. For instructions on bulb installation and replacement, see the 'Replcing Bulbs' section of this manual. The UVGI bulbs **MUST** be installed for proper operation and effectiveness. After installing the bulbs, carefully re-insert the prefilter / grille, catalysts and guard before closing and securing the lid once more. **DO NOT OVER-TIGHTEN SCREWS.**

### **\*\*CAUTION\*\***

When using your Genesis Air 2002BSS system, it must be plugged into a standard 120V grounded outlet. **DO NOT** attempt to modify any electrical components or the plug itself. Modifying any of the electrical components could result in user injury and/or damage to the 2002BSS unit.

**DO NOT PLUG IN THE 2002BSS UNIT UNTIL THE BULBS AND ALL INCLUDED INTERIOR COMPONENTS HAVE BEEN RE-INSERTED AND THE LID IS SECURELY TIGHTENED IN PLACE. CONNECTING THE UNIT TO A POWER SOURCE WITHOUT ALL THE INTERIOR COMPONENTS IN PLACE OR WITH THE LID OPEN COULD CAUSE UNSAFE UVGI EXPOSURE.**

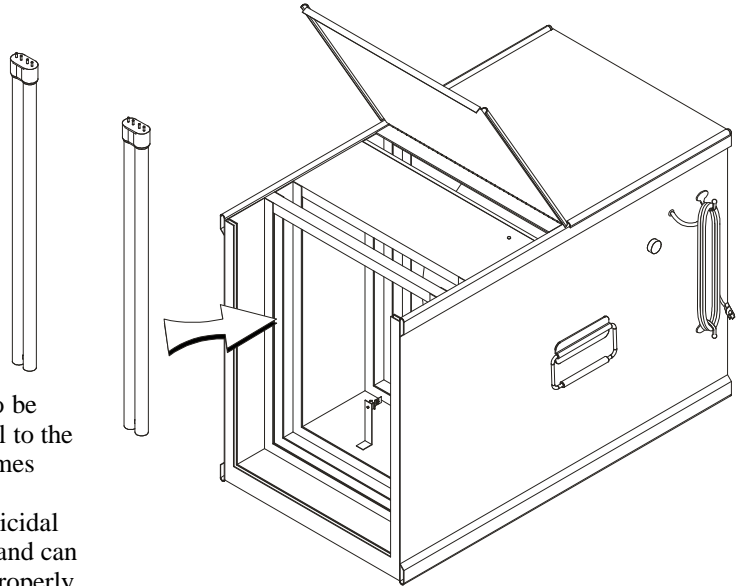
## BULB INSTALLATION

Although the UVGI bulbs shipped with your 2002BSS unit are designed for a long life, it may become necessary from time to time to perform maintenance on and sometimes replace these bulbs. This is an easy process and can be accomplished quickly and efficiently.

Lift the lid by removing the screws on the front lid and slowly pulling the lid upwards from the main unit. You may hear a small “click” as the safety switch is released. Be sure that the power cord has been unplugged before continuing.

Once the lid has been lifted, the guard, catalysts, and prefilter / grille may be removed from the housing. Carefully let the lid tilt back as far as it will go. Remove the internal components by pulling gently from both ends in a straight line. Refer to previous sections for more information on removing these components.

Your Genesis Air 2002BSS unit is equipped and designed to be used with two 36 Watt UVGI bulbs. These bulbs are critical to the proper use and effectiveness of your system. When it becomes necessary to change the bulbs, follow the procedures and guidelines outlined in this section. UVGI (Ultraviolet Germicidal Irradiation) bulbs are specifically designed for sterilization and can cause serious damage to exposed skin or eyes. If handled properly and safely, these bulbs can be easily replaced and disposed of.



### CAUTION!

Make sure the power is shut off before servicing this unit. Servicing this UVGI fixture without shutting off the power risks potential skin and/or eye exposure. Disconnect the power by unplugging the unit from the wall outlet!

Replace "old" lamps with new lamps if any of the following conditions exists.

- Prior to the manufacturer's expected life rating of 9000 burning hours of usage.
- When tubes stop glowing.
- When they flicker to an objectionable extent;
- or if there is a drastic reduction in output measurement from the previous quarterly inspection.

Replace the outlet cover by properly reconnecting the wire terminals before securing the outlet cover in place once more.

Turn power ON the unit and verify lamp operation.

Document the inspection, cleaning and lamp replacement in the a Preventive Maintenance record.

To replace the bulb, depress the TABS on either side of the base. Slide the bulb out carefully and replace in a similar fashion.

### CAUTION!

UVGI bulbs will be extremely hot to the touch. Allow the bulbs to cool before attempting to clean or replace the bulbs.

